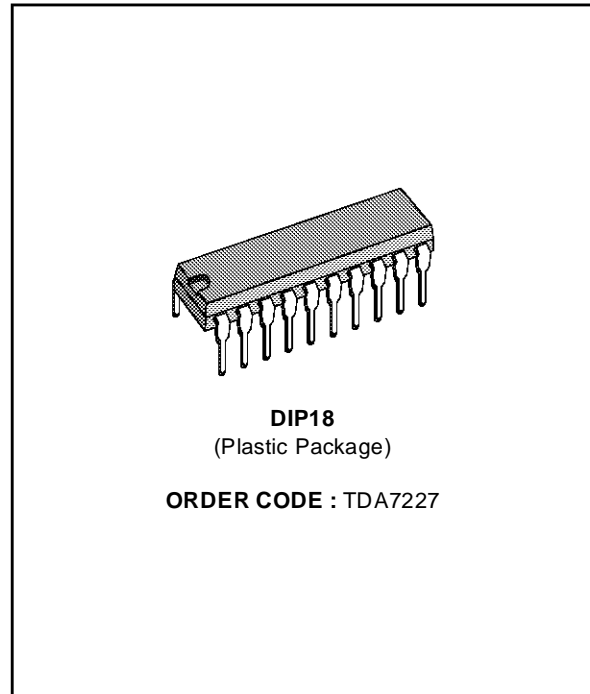


**SINGLE-CHIP AM/FM RADIO WITH FRONT-END**

**ADVANCE DATA**

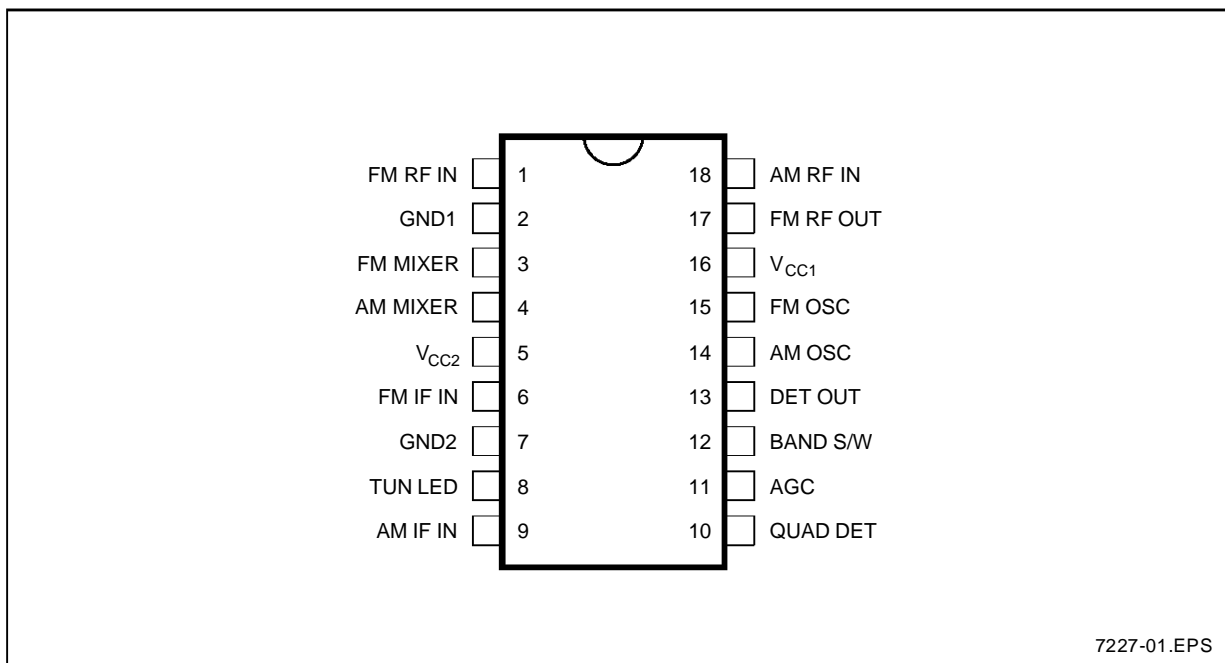
- BUILT-IN FM F/E AND AM/FM IF
- AM DETECTOR COIL AND IF COUPLING CAPACITOR ARE NOT NECESSARY
- WIDE OPERATING VOLTAGE RANGE (1.8 - 7V)
- LED DRIVE CIRCUIT FOR TUNING INDICATOR



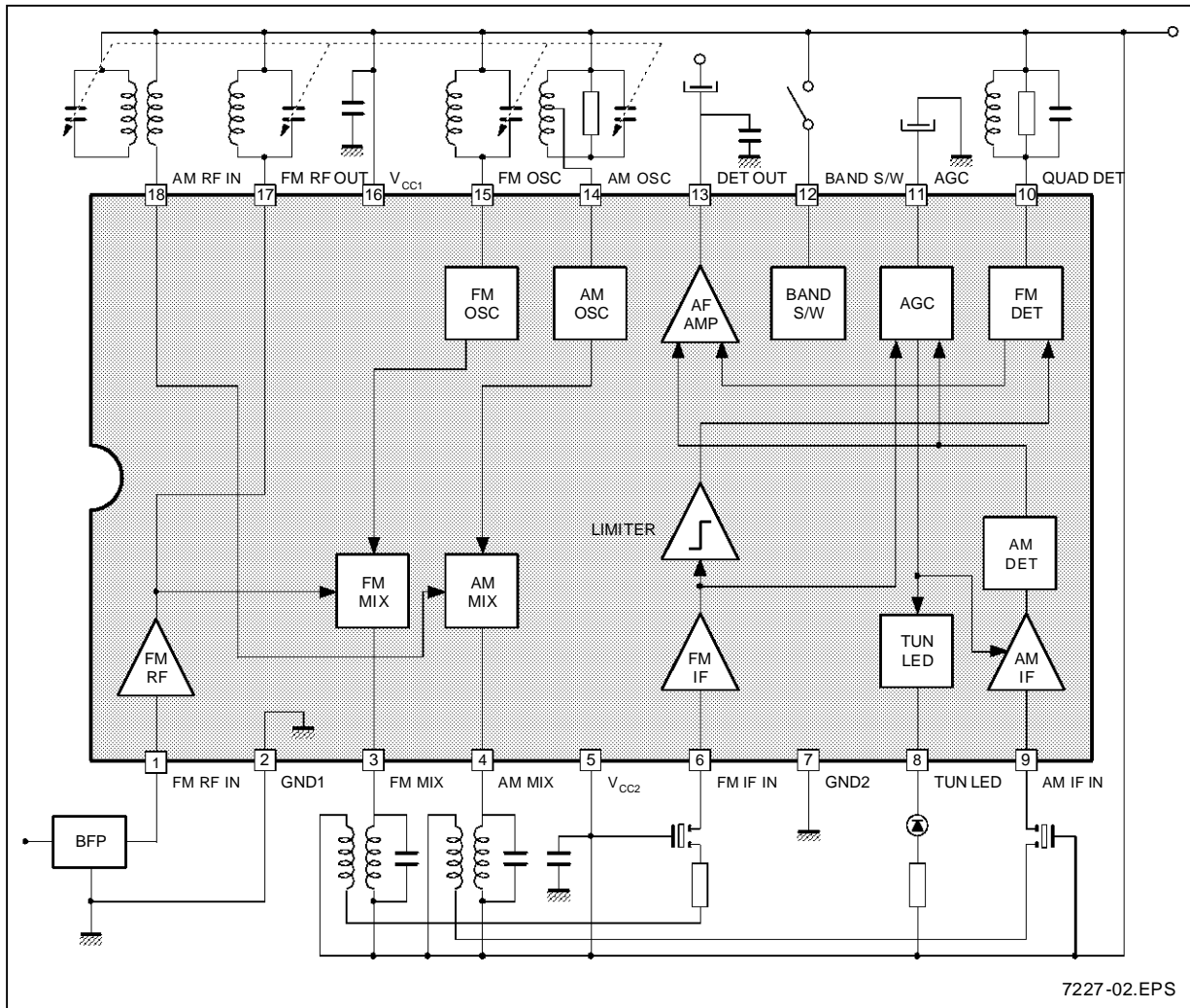
**DESCRIPTION**

TDA7227 is a mono AM/FM one chip tuner ICs which is designed for portable radios, clock radios and radio cassette recorders.

**PIN CONNECTIONS**



**BLOCK DIAGRAM**



**ABSOLUTE MAXIMUM RATINGS**

Symbol	Parameter	Value	Unit
V <sub>s</sub>	Supply Voltage	9	V
I <sub>LED</sub>	LED Current	10	mA
V <sub>LED</sub>	Led Voltage	10	V
T <sub>oper</sub>	Operating Temperature	- 25 to 75	°C
T <sub>stg</sub>	Storage Temperature	-55 to 150	°C

7227-01.TBL

**RECOMMENDED OPERATING CONDITION AT T<sub>A</sub> = 25°C**

Symbol	Parameter	Value	Unit
V <sub>s</sub>	Supply Voltage	1.8 to 7	V
T <sub>oper</sub>	Operating Temperature	- 20 to 60	°C

7227-02.TBL

**ELECTRICAL CHARACTERISTICS**

$T_A = 25^{\circ}\text{C}$ ,  $V_{CC} = 3\text{V}$     F/E :  $f = 100\text{MHz}$ ,  $f_m = 1\text{kHz}$   
 FM IF :  $f = 10.7\text{MHz}$ ,  $f = + 22.5\text{kHz}$ ,  $f_m = 1\text{kHz}$   
 AM :  $f = 1\text{MHz}$ ,  $m = 30\%$ ,  $f_m = 1\text{kHz}$

Symbol	Parameter	Test Conditions	Min.	Typ.	Max.	Unit
$V_S$	Supply Voltage		1.8	3	7	V
$I_{CC}$	Supply Current	$V_{IN} = 0$ , FM mode $V_{IN} = 0$ , AM mode		9 7		 mA mA
$V_{IN} (lim)$	FM F/E Input Limiting Voltage	- 3dB limiting		10		$\text{dB}\mu$

**FM SECTION**

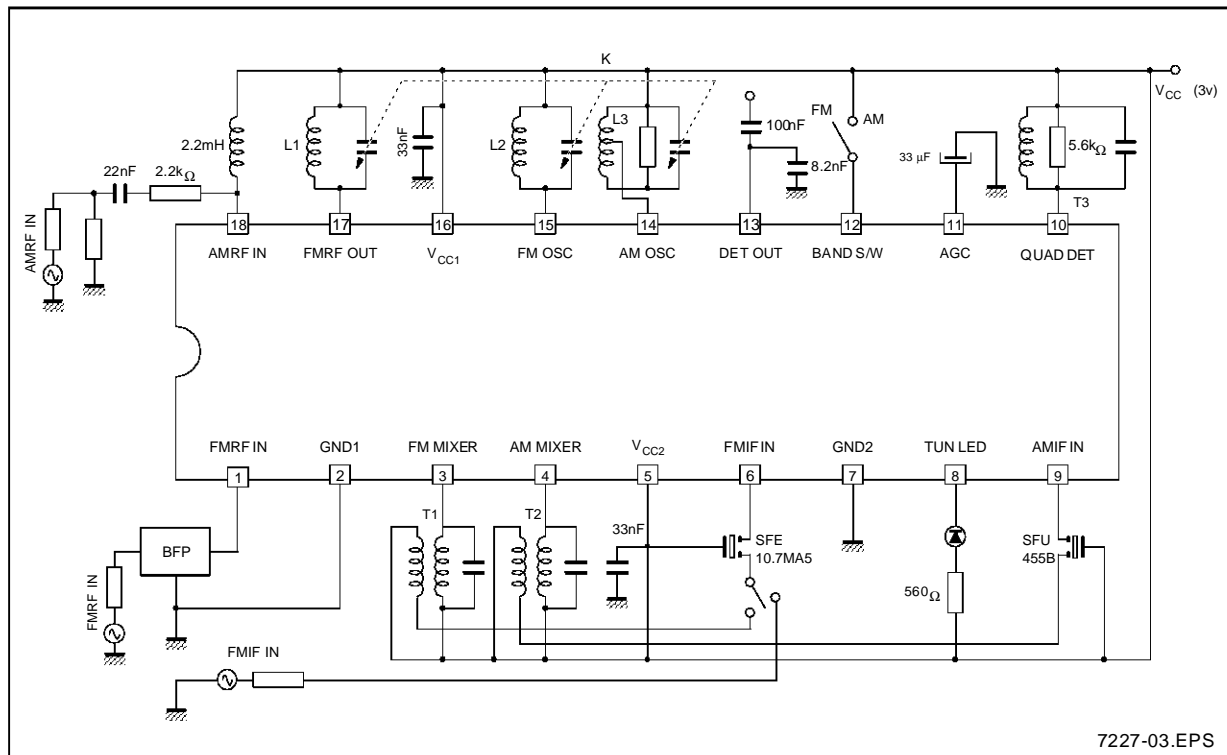
$V_{IN} (lim)$	Input Limiting Voltage	- 3dB limiting		44		$\text{dB}\mu$
$V_O$	Recovered Output Voltage	$V_{IN} = 80\text{dB}\mu$		80		mV
S/N	Signal to Noise Ratio	$V_{IN} = 80\text{dB}\mu$		70		dB
THD	Total Harmonic Distorsion	$V_{IN} = 80\text{dB}\mu$		0.4		%
AMR	AM Rejection Ratio	$V_{IN} = 80\text{dB}\mu$		50		dB

**AM SECTION**

$G_V$	Gain	$V_{IN} = 26\text{dB}\mu$		40		mV
$V_O$	Recovered Output Voltage	$V_{IN} = 60\text{dB}\mu$		60		mV
S/N	Signal to Noise Ratio	$V_{IN} = 60\text{dB}\mu$		44		dB
THD	Total Harmonic Distorsion	$V_{IN} = 60\text{dB}\mu$		1.0		%
$R_O$	Pin 12 Output Resistance	FM mode AM mode		5 5		$\text{k}\Omega$ $\text{k}\Omega$

7227-03.TBL

**TEST CIRCUIT**



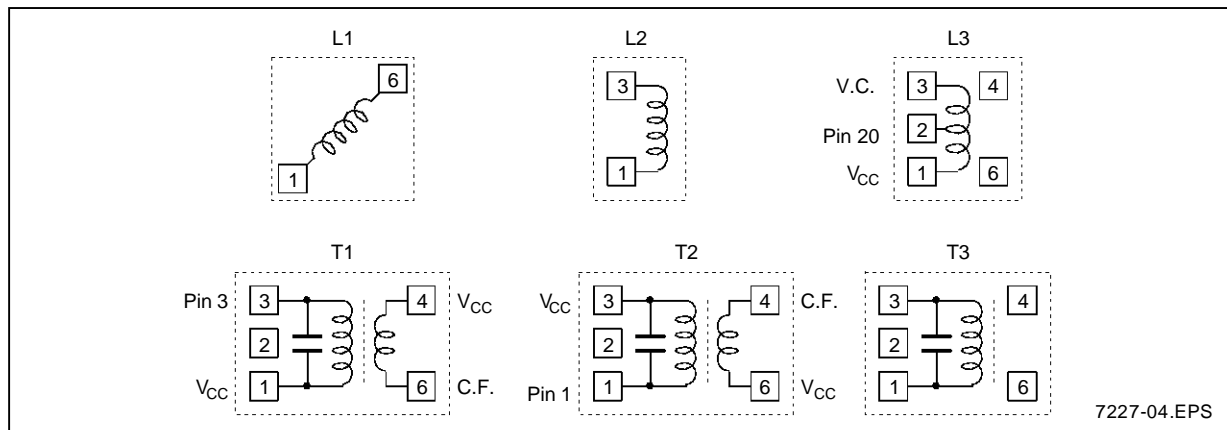
# TDA7227

## COIL DATA

Coil N°	f (Hz)	L (μH)	C <sub>o</sub> (pF)	Q <sub>o</sub>	Turns					Wire (mmØ)	Ref. *
					1 - 2	2 - 3	1 - 3	1 - 4	1 - 6		
L1 FM RF	100M			100				2 $\frac{1}{2}$		0.5 UEW	
L2 FM OSC	100M			100			2 $\frac{3}{4}$			0.5 UEW	
L3 AM OSC	796k	288		115	13	73				0.08 UEW	S - 4147 - 1356 - 045
T1 FM MIX	10.7M		75	115			12		1	0.12 UEW	S - 0133 - 309 - 045
T2 AM MIX	455k		180	120			180		15	0.08 UEW	S - 2150 - 2162 - 165
T3 FM DET	10.7M		47	165			16			0.09 UEW	S - 2153 - 4095 - 132

\* S : Sumida Electronic CO, Ltd.

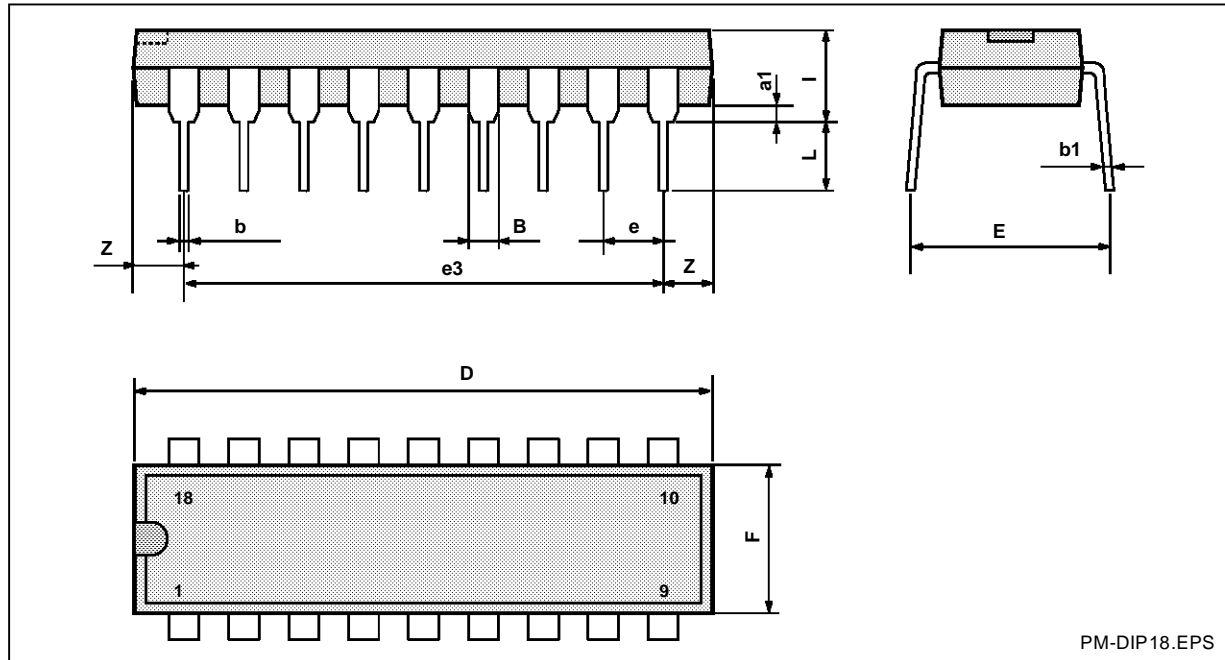
7227-04.TBL



7227-04.EPS

## PACKAGE MECHANICAL DATA

18 PINS - PLASTIC DIP



Dimensions	Millimeters			Inches		
	Min.	Typ.	Max.	Min.	Typ.	Max.
a1	0.254			0.010		
B	1.39		1.65	0.055		0.064
b		0.46			0.018	
b1		0.25			0.010	
D			23.24			0.914
E		8.5			0.335	
e		2.54			0.100	
e3		20.32			0.800	
F			7.1			0.280
i			3.93			0.155
L		3.3			0.130	
Z		1.27	1.59		0.050	0.062

DIP18.TBL

Information furnished is believed to be accurate and reliable. However, SGS-THOMSON Microelectronics assumes no responsibility for the consequences of use of such information nor for any infringement of patents or other rights of third parties which may result from its use. No licence is granted by implication or otherwise under any patent or patent rights of SGS-THOMSON Microelectronics. Specifications mentioned in this publication are subject to change without notice. This publication supersedes and replaces all information previously supplied. SGS-THOMSON Microelectronics products are not authorized for use as critical components in life support devices or systems without express written approval of SGS-THOMSON Microelectronics.

© 1992 SGS-THOMSON Microelectronics - All Rights Reserved

SGS-THOMSON Microelectronics GROUP OF COMPANIES

Australia - Brazil - China - France - Germany - Hong Kong - Italy - Japan - Korea - Malaysia - Malta - Morocco  
The Netherlands - Singapore - Spain - Sweden - Switzerland - Taiwan - United Kingdom - U.S.A.

ORDER CODE :