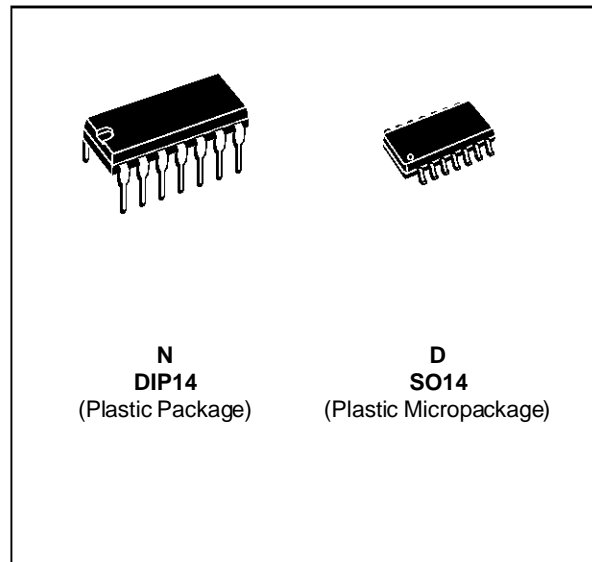


**LOW POWER QUAD OPERATIONAL AMPLIFIERS**

- LARGE VOLTAGE GAIN : 100dB
- VERY LOW SUPPLY CURRENT/AMPLI : 375µA
- LOW INPUT BIAS CURRENT : 20nA
- LOW INPUT OFFSET CURRENT : 2nA
- WIDE POWER SUPPLY RANGE :  
SINGLE SUPPLY : +3V TO +30V  
DUAL SUPPLIES : ±1.5V TO ±15V



**DESCRIPTION**

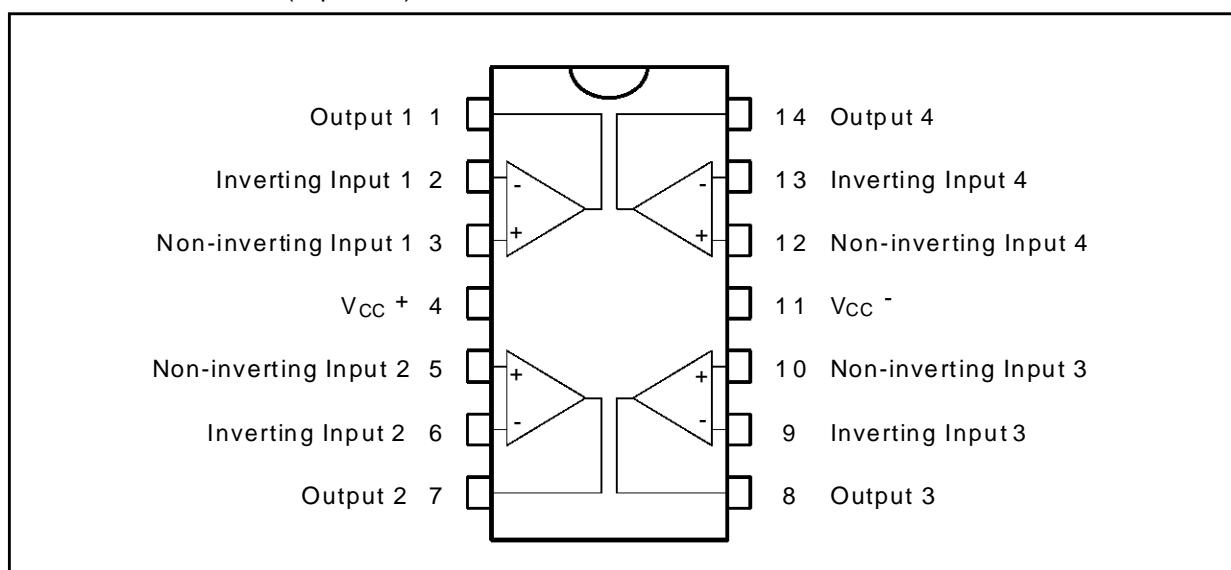
This circuit consists of four independent, high gain, internally frequency compensated operational amplifiers which were designed specifically for automotive and industrial control systems. It operates from a single power supply over a wide range of voltages. Operation from split power supplies is also possible and the low power supply current drain is independent of the magnitude of the power supply voltage.

**ORDER CODES**

Part Number	Temperature Range	Package	
		N	D
LM2902	-40°C, +125°C	•	•
<b>Example : LM2902D</b>			

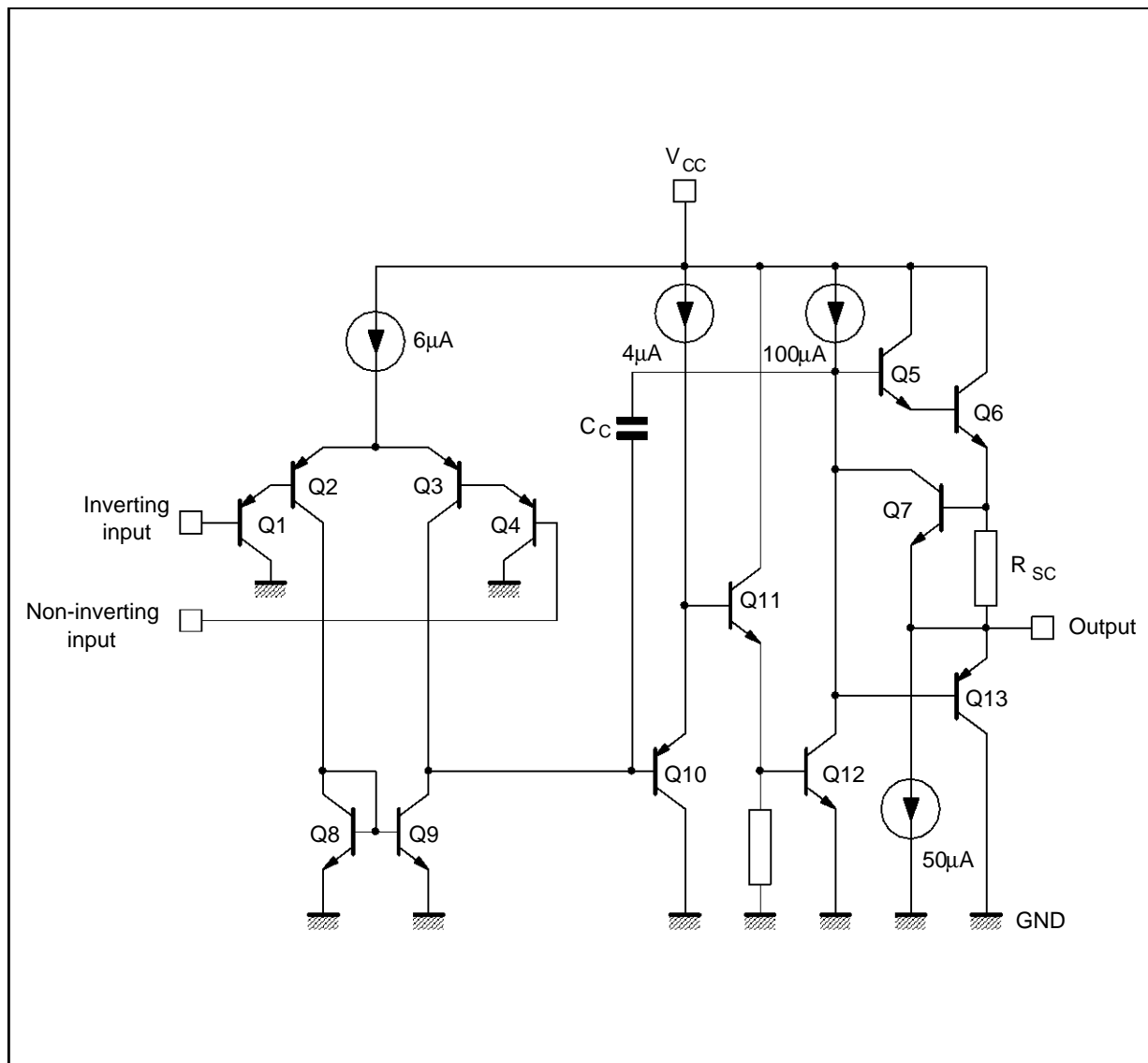
2902-01.TBL

**PIN CONNECTIONS (top view)**



2902-01.EPS

SCHMATIC DIAGRAM (1/4 LM2902)



2902-02.EPS

ABSOLUTE MAXIMUM RATINGS

Symbol	Parameter	Value	Unit
V <sub>cc</sub>	Supply Voltage	±16 or 32	V
V <sub>i</sub>	Input Voltage	-0.3 to +32	V
V <sub>id</sub>	Differential Input Voltage	+32	V
P <sub>tot</sub>	Power Dissipation	500 400	mW mW
-	Output Short-circuit Duration - (note 1)	Infinite	
I <sub>in</sub>	Input Current - (note 6)	50	mA
T <sub>oper</sub>	Operating Free Air Temperature Range	-40 to +125	°C
T <sub>stg</sub>	Storage Temperature Range	-65 to +150	°C

2902-02.TBL

**ELECTRICAL CHARACTERISTICS**

$V_{CC}^+ = +5V$ ,  $V_{CC}^- = \text{Ground}$ ,  $V_O = 1.4V$ ,  $T_{amb} = +25^\circ C$   
(unless otherwise specified)

Symbol	Parameter	Min.	Typ.	Max.	Unit
$V_{io}$	Input Offset Voltage (note 3) $T_{amb} = +25^\circ C$ $T_{min.} \leq T_{amb} \leq T_{max.}$		2	7 9	mV
$I_{io}$	Input Offset Current $T_{amb} = +25^\circ C$ $T_{min.} \leq T_{amb} \leq T_{max.}$		2	30 40	nA
$I_{ib}$	Input Bias Current (note 2) $T_{amb} = +25^\circ C$ $T_{min.} \leq T_{amb} \leq T_{max.}$		20	150 200	nA
$A_{vd}$	Large Signal Voltage Gain ( $V_{CC}^+ = +15V$ , $R_L = 2k\Omega$ , $V_O = 1.4V$ to $11.4V$ ) $T_{amb} = +25^\circ C$ $T_{min.} \leq T_{amb} \leq T_{max.}$	50 25	100		V/mV
SVR	Supply Voltage Rejection Ratio ( $R_S \leq 10k\Omega$ ) ( $V_{CC}^+ = 5V$ to $30V$ ) $T_{amb} = +25^\circ C$ $T_{min.} \leq T_{amb} \leq T_{max.}$	65 65	110		dB
$I_{CC}$	Supply Current, all Amp, no load $T_{amb} = +25^\circ C$ $T_{min.} \leq T_{amb} \leq T_{max.}$		$V_{CC} = +5V$ 0.7 $V_{CC} = +30V$ 1.5 $V_{CC} = +5V$ 0.8 $V_{CC} = +30V$ 1.5	1.2 3 1.2 3	mA
$V_{icm}$	Input Common Mode Voltage Range ( $V_{CC} = +30V$ ) - (note 4) $T_{amb} = +25^\circ C$ $T_{min.} \leq T_{amb} \leq T_{max.}$	0 0		$V_{CC} - 1.5$ $V_{CC} - 2$	V
CMR	Common-mode Rejection Ratio ( $R_S \leq 10k\Omega$ ) $T_{amb} = +25^\circ C$ $T_{min.} \leq T_{amb} \leq T_{max.}$	70 60	80		dB
$I_o$	Output Short-circuit Current ( $V_{id} = +1V$ ) $V_{CC} = +15V$ , $V_o = +2V$	20	40	60	mA
$I_{sink}$	Output Sink Current ( $V_{id} = -1V$ ) $V_{CC} = +15V$ , $V_o = +2V$ $V_{CC} = +15V$ , $V_o = +0.2V$	10 12	20 50		mA $\mu A$

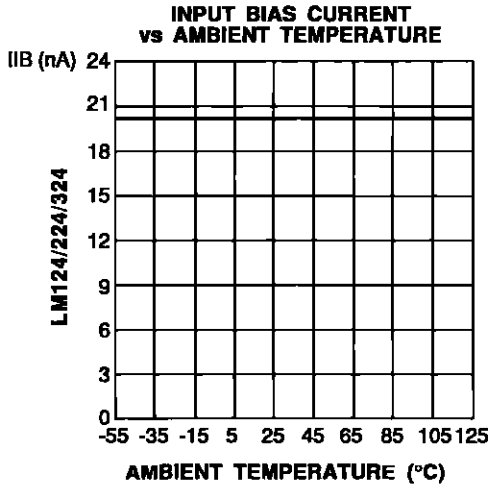
2902-03.TBL

## ELECTRICAL CHARACTERISTICS (continued)

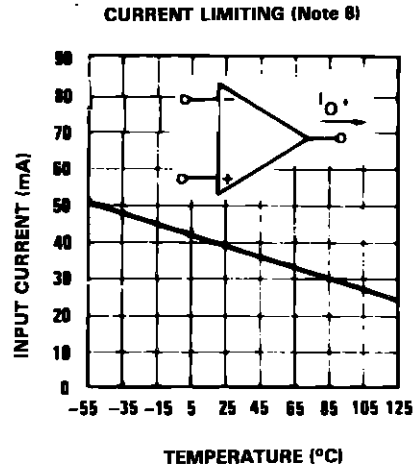
Symbol	Parameter	Min.	Typ.	Max.	Unit
V <sub>OH</sub>	High Level Output Voltage (V <sub>CC</sub> = +30V)				V
	T <sub>amb</sub> = +25°C		27		
	T <sub>min.</sub> ≤ T <sub>amb</sub> ≤ T <sub>max.</sub> R <sub>L</sub> = 2kΩ	26			
	T <sub>amb</sub> = +25°C	27	28		
V <sub>OL</sub>	Low Level Output Voltage (R <sub>L</sub> = 10kΩ)				mV
	T <sub>amb</sub> = +25°C		5	20	
	T <sub>min.</sub> ≤ T <sub>amb</sub> ≤ T <sub>max.</sub>			20	
SR	Slew Rate (V <sub>CC</sub> = 15V, V <sub>I</sub> = 0.5 to 3V, R <sub>L</sub> = 2kΩ, C <sub>L</sub> = 100pF, T <sub>amb</sub> = +25°C, unity gain)		0.4		V/μs
GBP	Gain Bandwidth Product (V <sub>CC</sub> = 30V f = 100kHz, T <sub>amb</sub> = +25°C, V <sub>in</sub> = 10mV R <sub>L</sub> = 2kΩ, C <sub>L</sub> = 100pF)		1.3		MHz
THD	Total Harmonic Distortion (f = 1kHz, A <sub>V</sub> = 20dB, R <sub>L</sub> = 2kΩ, V <sub>O</sub> = 2V <sub>pp</sub> C <sub>L</sub> = 100pF, T <sub>amb</sub> = +25°C, V <sub>CC</sub> = 30V)		0.015		%
e <sub>n</sub>	Equivalent Input Noise Voltage (f = 1kHz, R <sub>s</sub> = 100Ω, V <sub>CC</sub> = 30V)		40		$\frac{nV}{\sqrt{Hz}}$
DV <sub>io</sub>	Input Offset Voltage Drift		7	30	μV/°C
DI <sub>io</sub>	Input Offset Current Drift		10	200	pA/°C
V <sub>O1</sub> /V <sub>O2</sub>	Channel Separation (note 5) 1kHz ≤ f ≤ 20kHz		120		dB

- Notes :**
- Short-circuits from the output to V<sub>CC</sub> can cause excessive heating if V<sub>CC</sub> > 15V. The maximum output current is approximately 40mA independent of the magnitude of V<sub>CC</sub>. Destructive dissipation can result from simultaneous short-circuit on all amplifiers.
  - The direction of the input current is out of the IC. This current is essentially constant, independent of the state of the output so no loading change exists on the input lines.
  - V<sub>o</sub> = 1.4V, R<sub>s</sub> = 0Ω, 5V < V<sub>CC</sub> < 30V, 0 < V<sub>ic</sub> < V<sub>CC</sub> - 1.5V
  - The input common-mode voltage of either input signal voltage should not be allowed to go negative by more than 0.3V. The upper end of the common-mode voltage range is V<sub>CC</sub> - 1.5V, but either or both inputs can go to +32V without damage.
  - Due to the proximity of external components insure that coupling is not originating via stray capacitance between these external parts. This typically can be detected as this type of capacitance increases at higher frequencies.
  - This input current only exists when the voltage at any of the input leads is driven negative. It is due to the collector-base junction of the input PNP transistor becoming forward biased and thereby acting as input diodes clamps. In addition to this diode action, there is also NPN parasitic action on the IC chip. this transistor action can cause the output voltages of the Op-amps to go to the V<sub>CC</sub> voltage level (or to ground for a large overdrive) for the time duration than an input is driven negative.  
This is not destructive and normal output will set up again for input voltage higher than -0.3V.

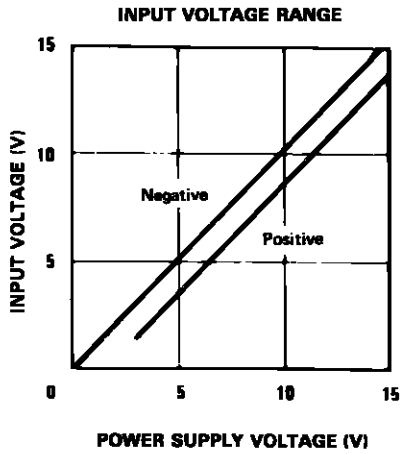
2902-04.TBL



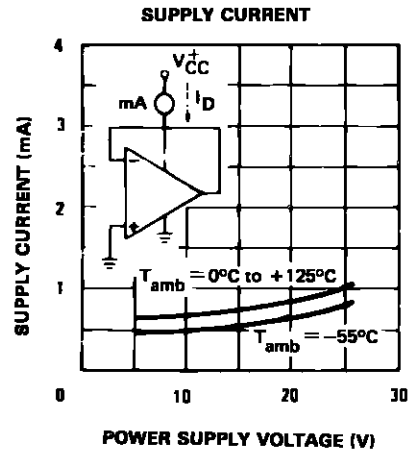
2902-03.EPS



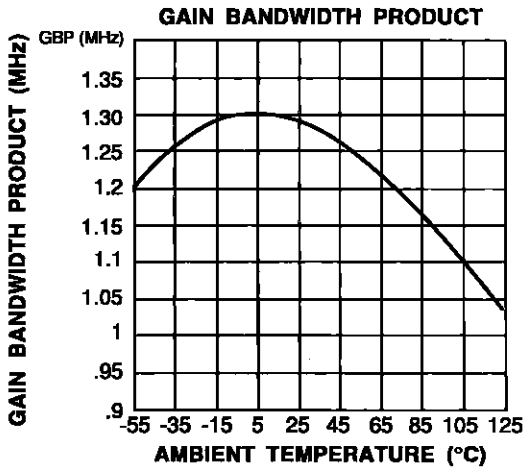
2902-04.EPS



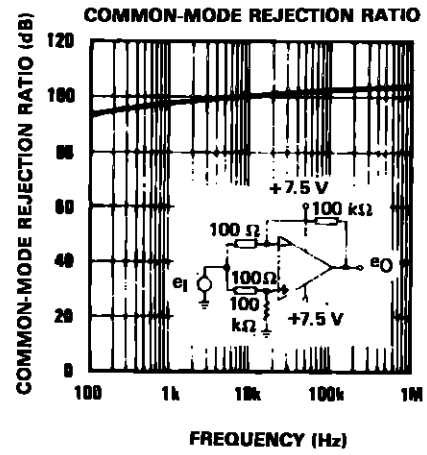
2902-05.EPS



2902-06.EPS

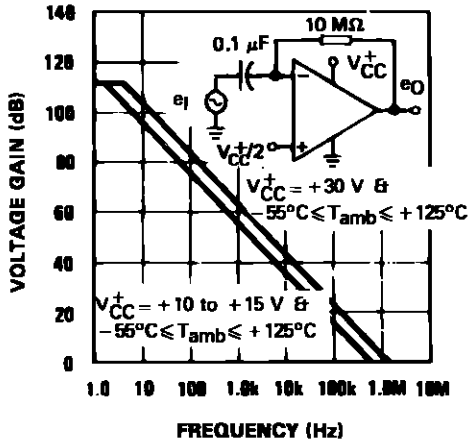


2902-07.EPS

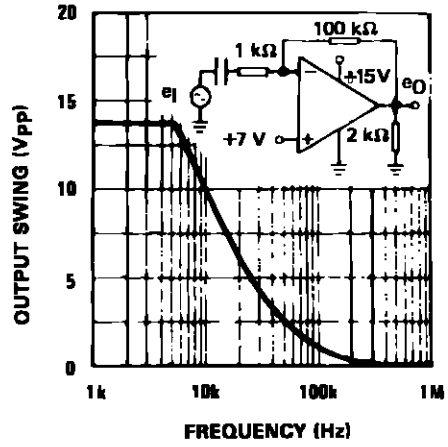


2902-08.EPS

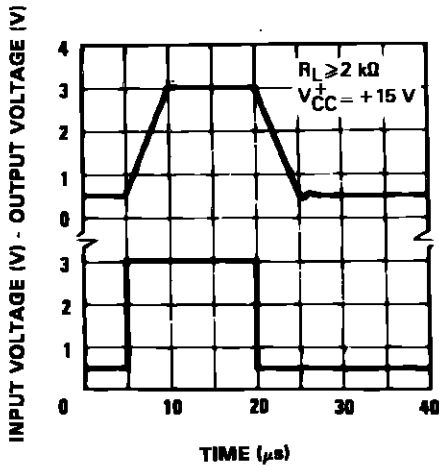
OPEN LOOP FREQUENCY RESPONSE



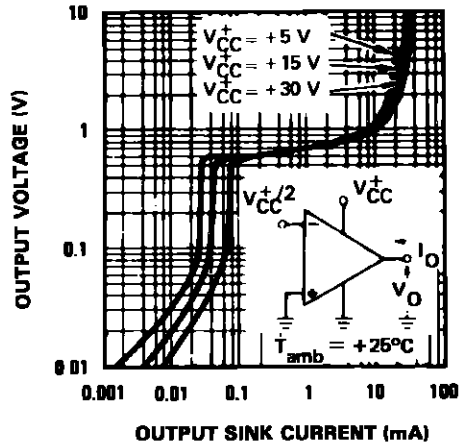
LARGE SIGNAL FREQUENCY RESPONSE



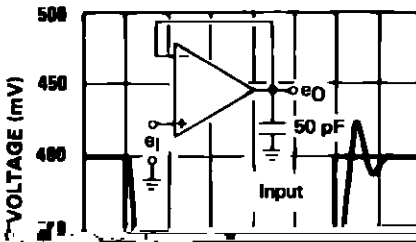
VOLTAGE FOLLOWER PULSE RESPONSE



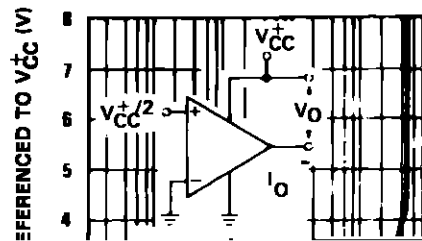
OUTPUT CHARACTERISTICS (CURRENT SINKING)

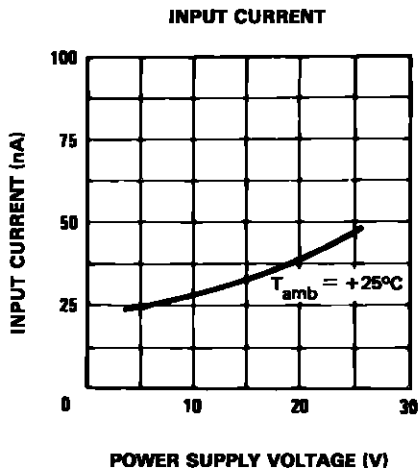


VOLTAGE FOLLOWER PULSE RESPONSE (SMALL SIGNAL)

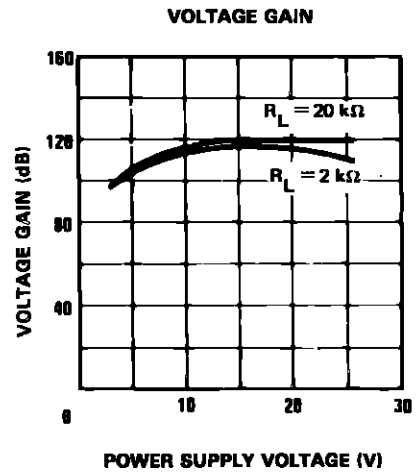


OUTPUT CHARACTERISTICS (CURRENT SOURCING)

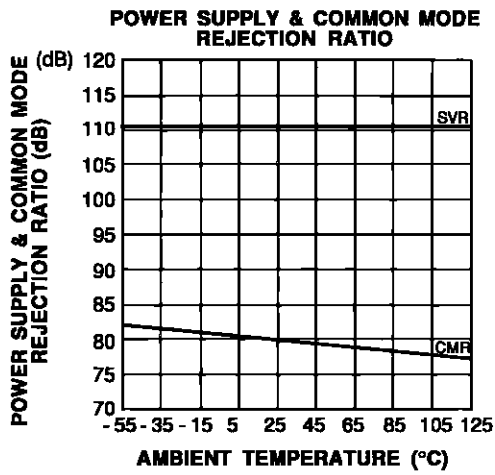




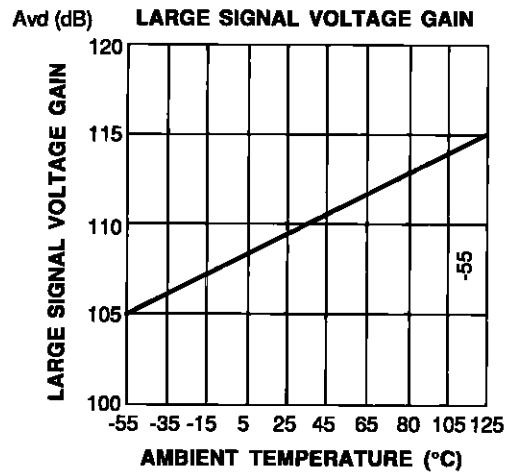
2902-10.EPS



2902-11.EPS

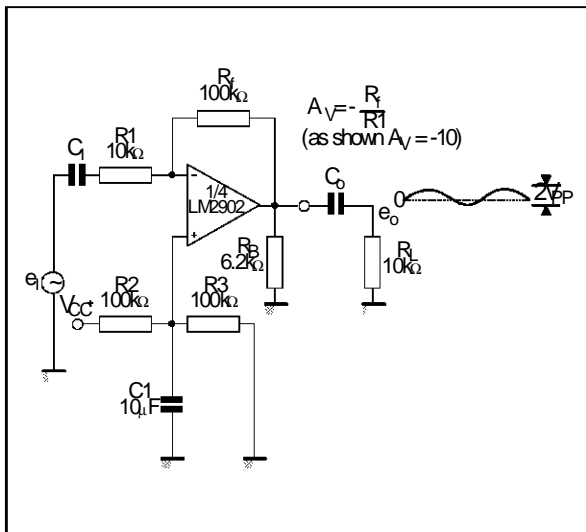


2902-12.EPS



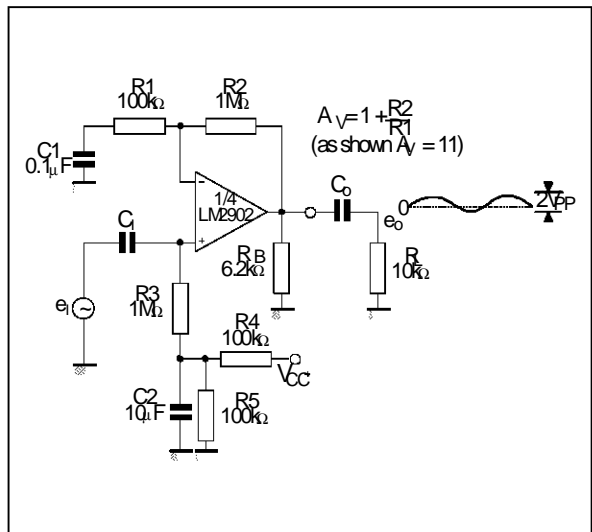
2902-13.EPS

**TYPICAL SINGLE - SUPPLY APPLICATIONS**  
AC COUPLED INVERTING AMPLIFIER



2902-14.EPS

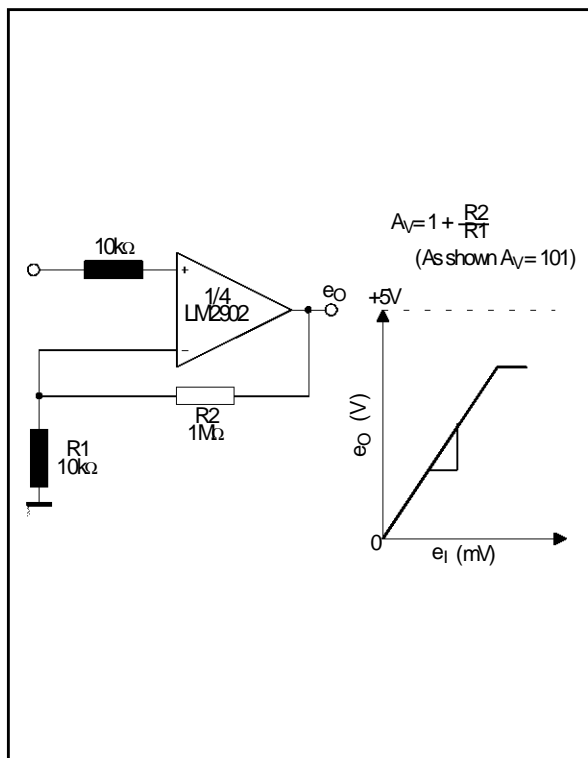
AC COUPLED NON-INVERTING AMPLIFIER



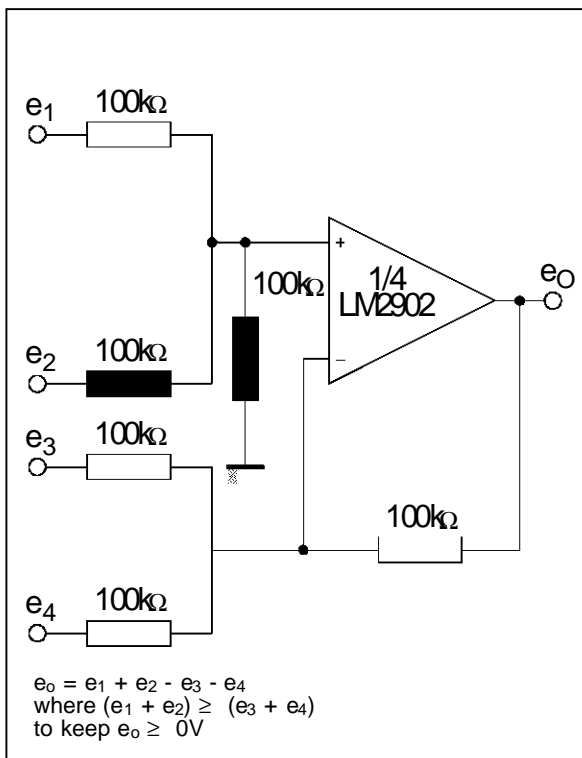
2902-15.EPS

TYPICAL SINGLE - SUPPLY APPLICATIONS

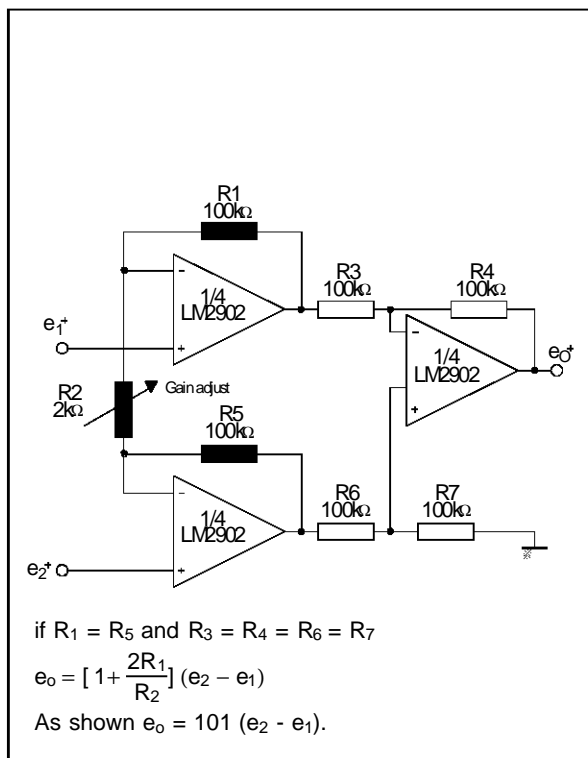
NON-INVERTING DC GAIN



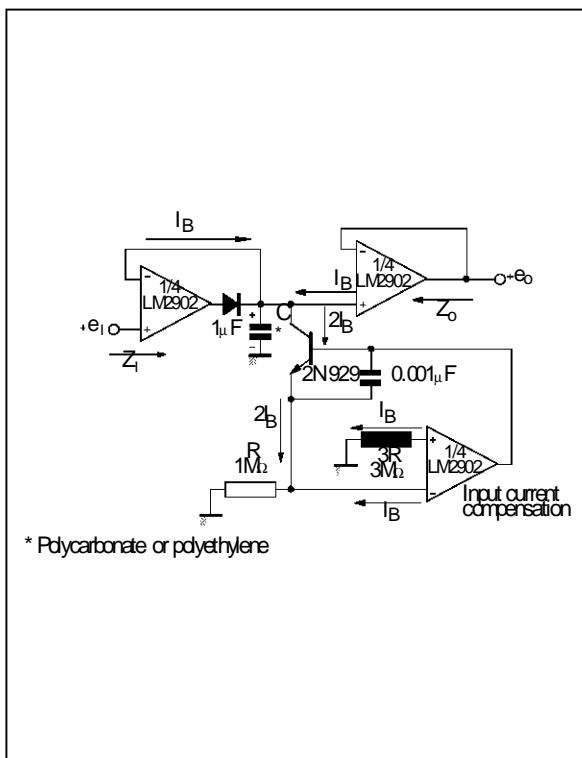
DC SUMMING AMPLIFIER



HIGH INPUT Z ADJUSTABLE GAIN DC INSTRUMENTATION AMPLIFIER



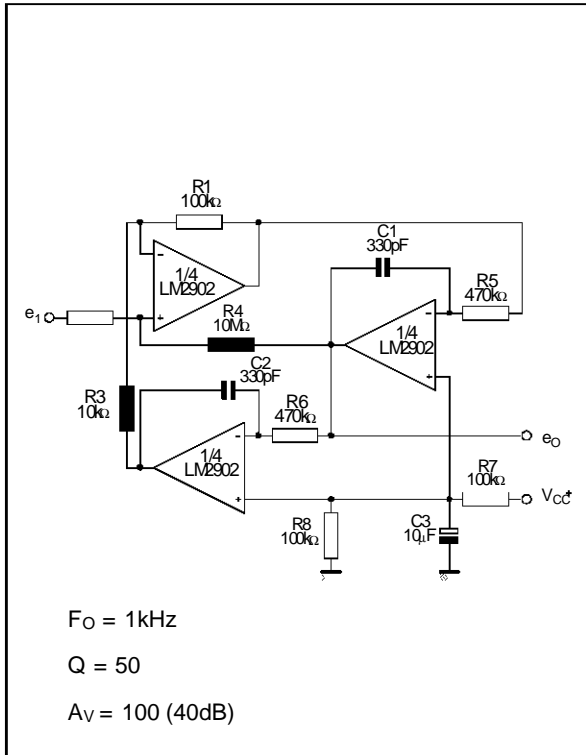
LOW DRIFT PEAK DETECTOR



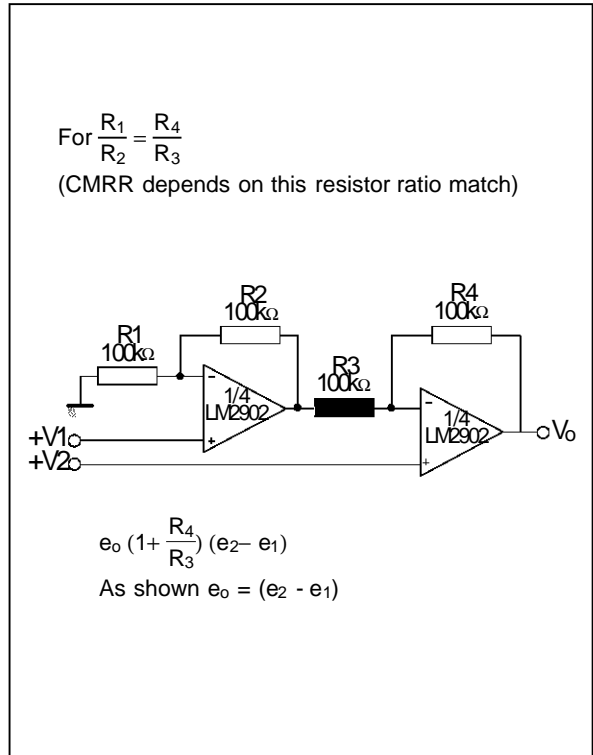


TYPICAL SINGLE - SUPPLY APPLICATIONS

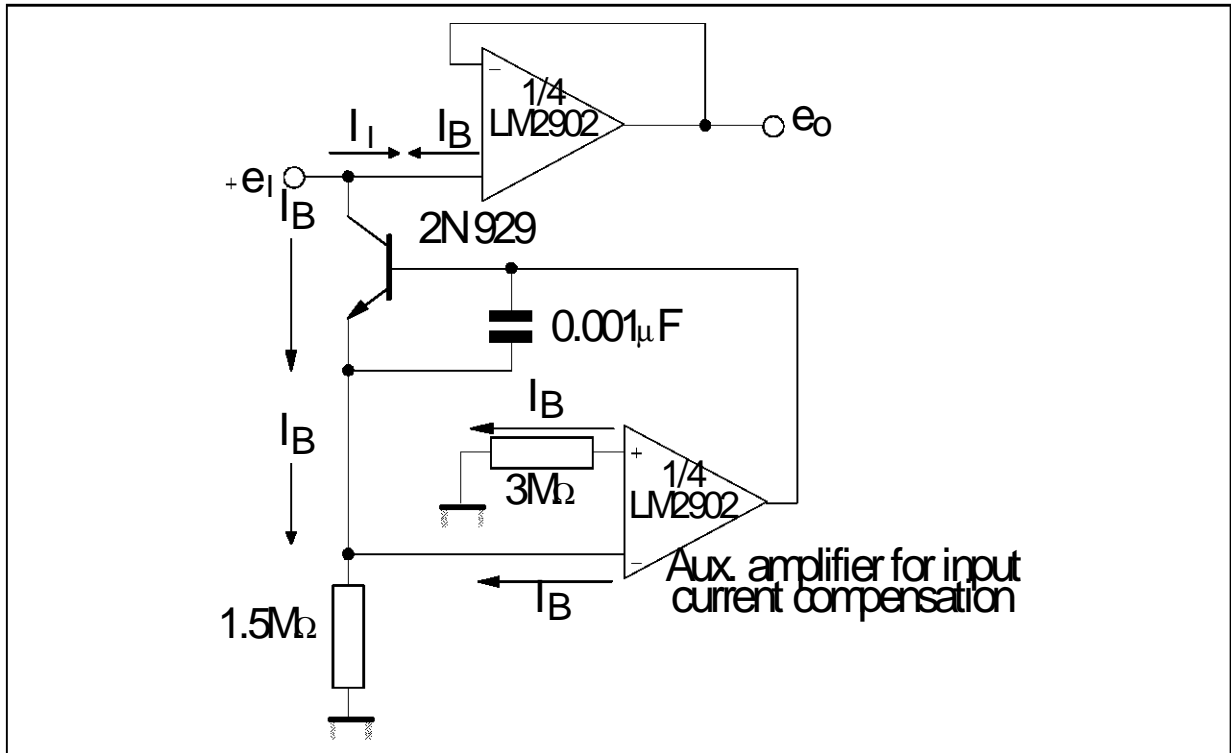
ACTIVER BANDPASS FILTER



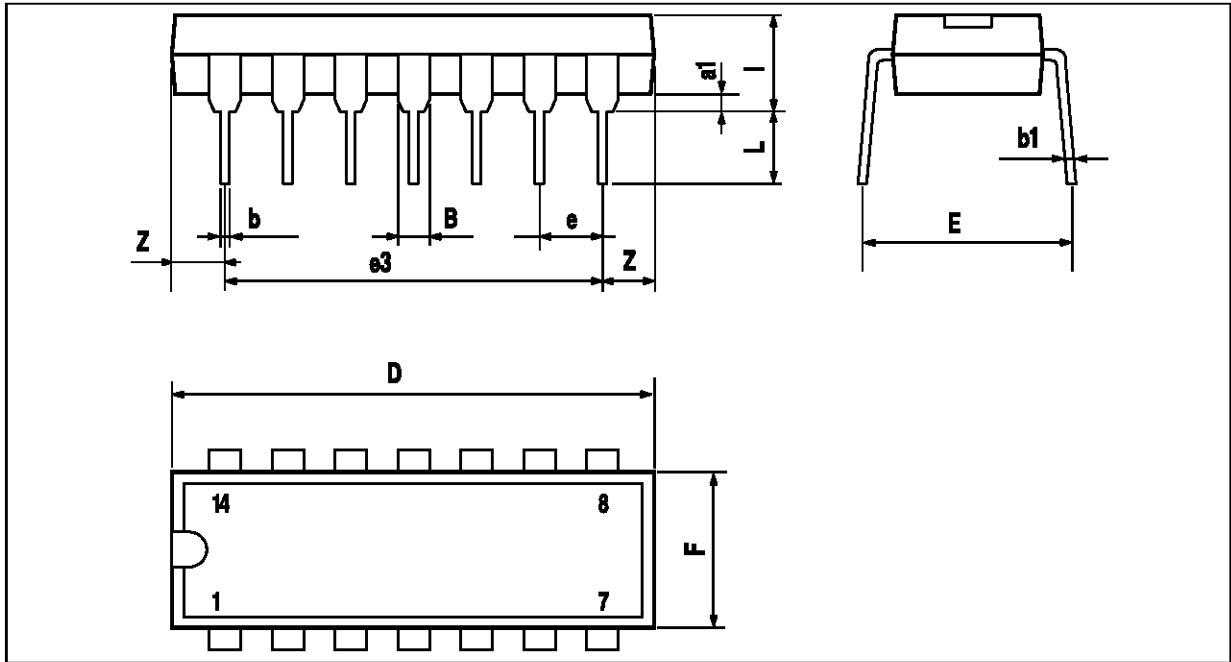
HIGH INPUT Z, DC DIFFERENTIAL AMPLIFIER



USING SYMMETRICAL AMPLIFIERS TO REDUCE INPUT CURRENT (GENERAL CONCEPT)



**PACKAGE MECHANICAL DATA**  
14 PINS - PLASTIC DIP OR CERDIP

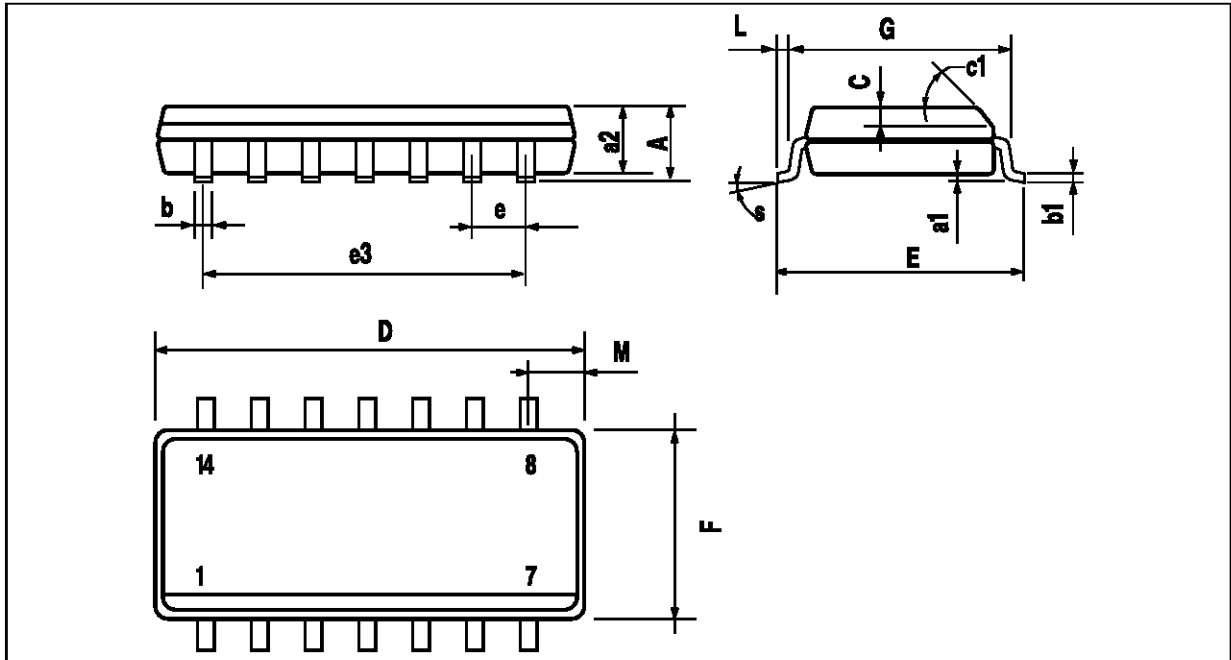


PM-DIP14.EPS

Dimensions	Millimeters			Inches		
	Min.	Typ.	Max.	Min.	Typ.	Max.
a1	0.51			0.020		
B	1.39		1.65	0.055		0.065
b		0.5			0.020	
b1		0.25			0.010	
D			20			0.787
E		8.5			0.335	
e		2.54			0.100	
e3		15.24			0.600	
F			7.1			0.280
i			5.1			0.201
L		3.3			0.130	
Z	1.27		2.54	0.050		0.100

DIP14.TBL

**PACKAGE MECHANICAL DATA**  
 14 PINS - PLASTIC MICROPACKAGE (SO)



PM-S014.EPS

Dimensions	Millimeters			Inches		
	Min.	Typ.	Max.	Min.	Typ.	Max.
A			1.75			0.069
a1	0.1		0.2	0.004		0.008
a2			1.6			0.063
b	0.35		0.46	0.014		0.018
b1	0.19		0.25	0.007		0.010
C		0.5			0.020	
c1	45° (typ.)					
D	8.55		8.75	0.336		0.334
E	5.8		6.2	0.228		0.244
e		1.27			0.050	
e3		7.62			0.300	
F	3.8		4.0	0.150		0.157
G	4.6		5.3	0.181		0.208
L	0.5		1.27	0.020		0.050
M			0.68			0.027
S	8° (max.)					

SO14.TBL

Information furnished is believed to be accurate and reliable. However, SGS-THOMSON Microelectronics assumes no responsibility for the consequences of use of such information nor for any infringement of patents or other rights of third parties which may result from its use. No licence is granted by implication or otherwise under any patent or patent rights of SGS-THOMSON Microelectronics. Specifications mentioned in this publication are subject to change without notice. This publication supersedes and replaces all information previously supplied. SGS-THOMSON Microelectronics products are not authorized for use as critical components in life support devices or systems without express written approval of SGS-THOMSON Microelectronics.

© 1995 SGS-THOMSON Microelectronics - All Rights Reserved

SGS-THOMSON Microelectronics GROUP OF COMPANIES

Australia - Brazil - France - Germany - Hong Kong - Italy - Japan - Korea - Malaysia - Malta - Morocco - The Netherlands  
 Singapore - Spain - Sweden - Switzerland - Taiwan - Thailand - United Kingdom - U.S.A.

ORDER CODE :